

DE

Technische Unterlagen

Ökodesignverordnung

EN

Technical Documents

Ecodesign Regulation



GIS 100 Inverter

#20023



1

DE

Materialliste

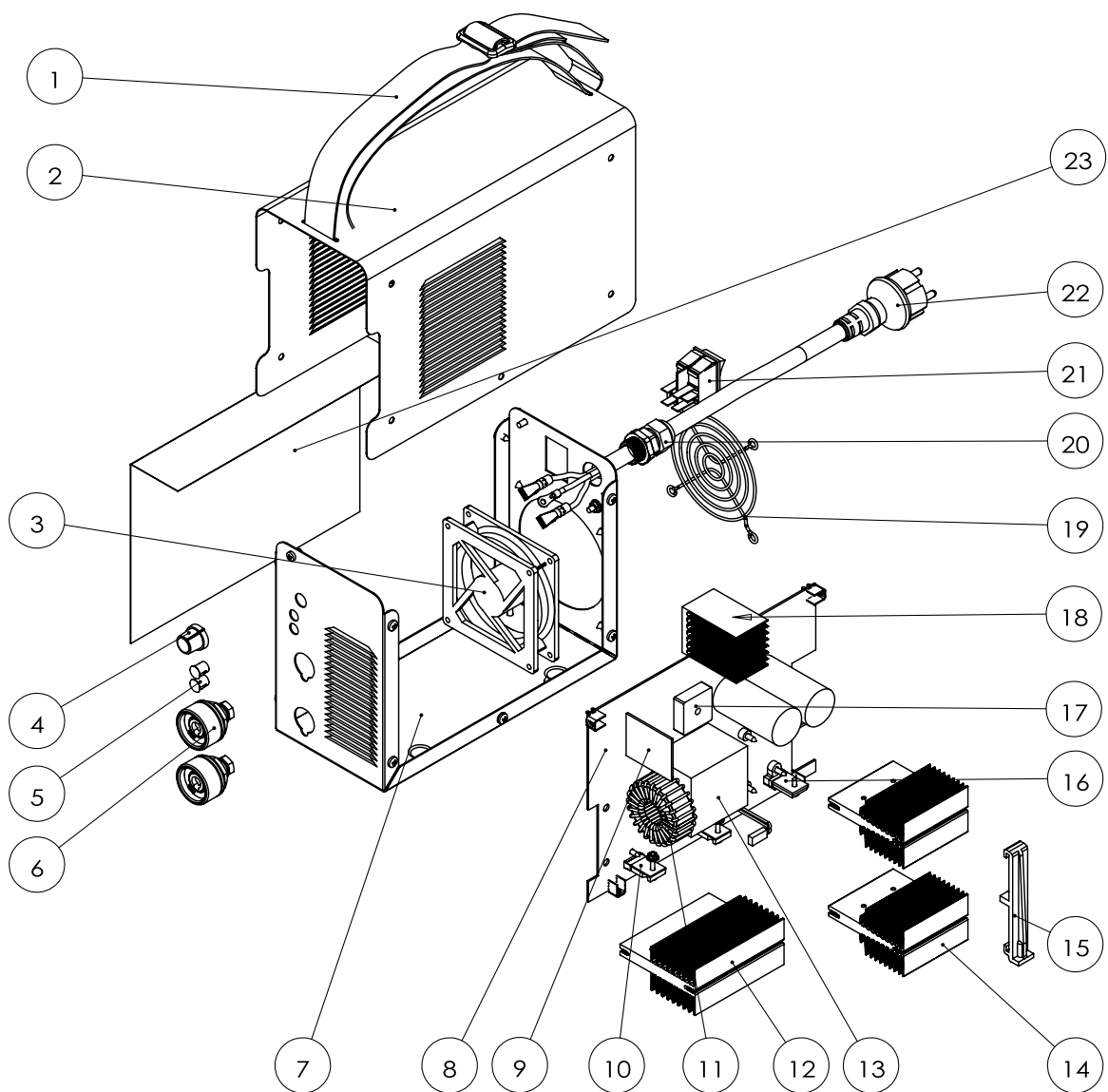
EN

Bill of materials



GIS 100 # 20023

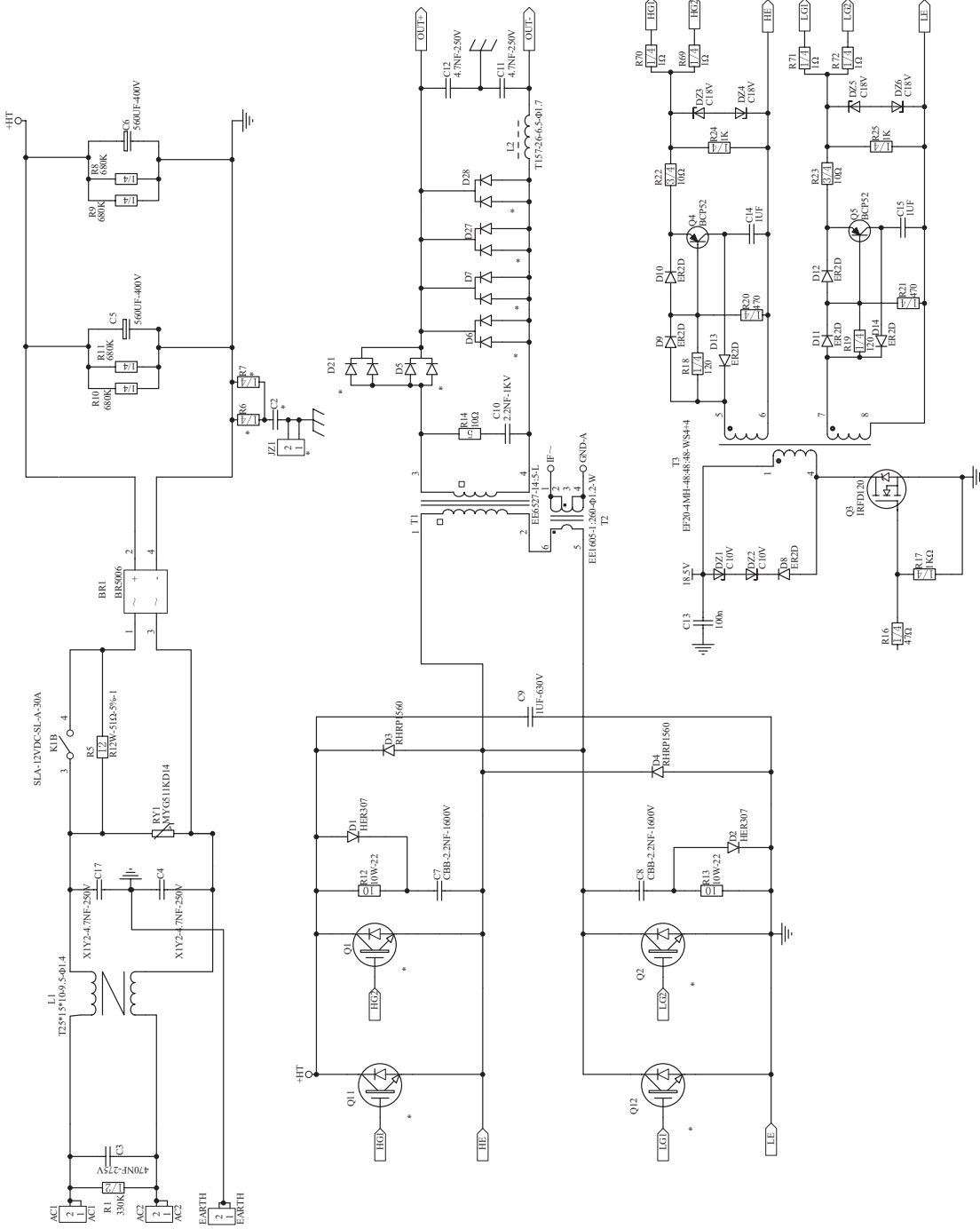
Bitte beachten Sie, dass die Zeichnung und die Stückliste nicht für die Ersatzteilbestimmung angedacht sind.



Inverter GIS 100



| No | GIS 100 # 20023 | Materiel Code | Unit | Qty | Weight (g) |
|----|----------------------------|---------------|------|-----|------------|
| 1 | Black belt | 60100003 | 1 | 1 | 32 |
| 2 | Top housing | S2041800 | 1 | 1 | 435 |
| 3 | DC fan | 30712163 | 1 | 1 | 65 |
| 4 | Knob | 30406038 | 1 | 1 | 39 |
| 5 | Shade | 60800285 | 2 | 2 | 211 |
| 6 | Quick connector | VS020100 | 2 | 2 | 135 |
| 7 | Bottom | S2041802 | 1 | 1 | 220 |
| 8 | Main PCB | S3001992 | 1 | 1 | 860 |
| 9 | Control PCB | S3002006 | 1 | 1 | 32 |
| 10 | Fast recovery diode | 30609288 | 3 | 3 | 195 |
| 11 | Inductance | 30605020 | 1 | 1 | 25 |
| 12 | Rectifier tube radiator | 30202147 | 1 | 1 | 230 |
| 13 | Transformer | 30713355 | 1 | 1 | 432 |
| 14 | IGBT radiator | 30202203 | 2 | 2 | 837 |
| 15 | IGBT radiator support bar | 20100022 | 1 | 1 | 592 |
| 16 | IGBT | 30612152 | 4 | 4 | 180 |
| 17 | Bridge rectifiers | 30609036 | 1 | 1 | 75 |
| 18 | Bridge rectifiers radiator | 30202204 | 1 | 1 | 430 |
| 19 | Fan housing | 30401010 | 1 | 1 | 30 |
| 20 | Cable clip | 30405018 | 1 | 1 | 50 |
| 21 | Switch | 30715046 | 1 | 1 | 32 |
| 22 | Power cable | 12700711 | 1 | 1 | 75 |
| 23 | Inductance film | S1800004 | 1 | 1 | 36 |
| | Total | | | | 5248 |



GÜDE GmbH & Co. KG
Birkichstrasse 6
74549 Wolpertshausen
Deutschland
Tel.: +49-(0)7904/700-0
Fax.: +49-(0)7904/700-250
eMail: info@guede.com

