

DE

Technische Unterlagen

Ökodesignverordnung

EN

Technical Documents

Ecodesign Regulation



SG 121 Fülldraht - Inverter

#20073 | 20075



1

DE

Materialliste

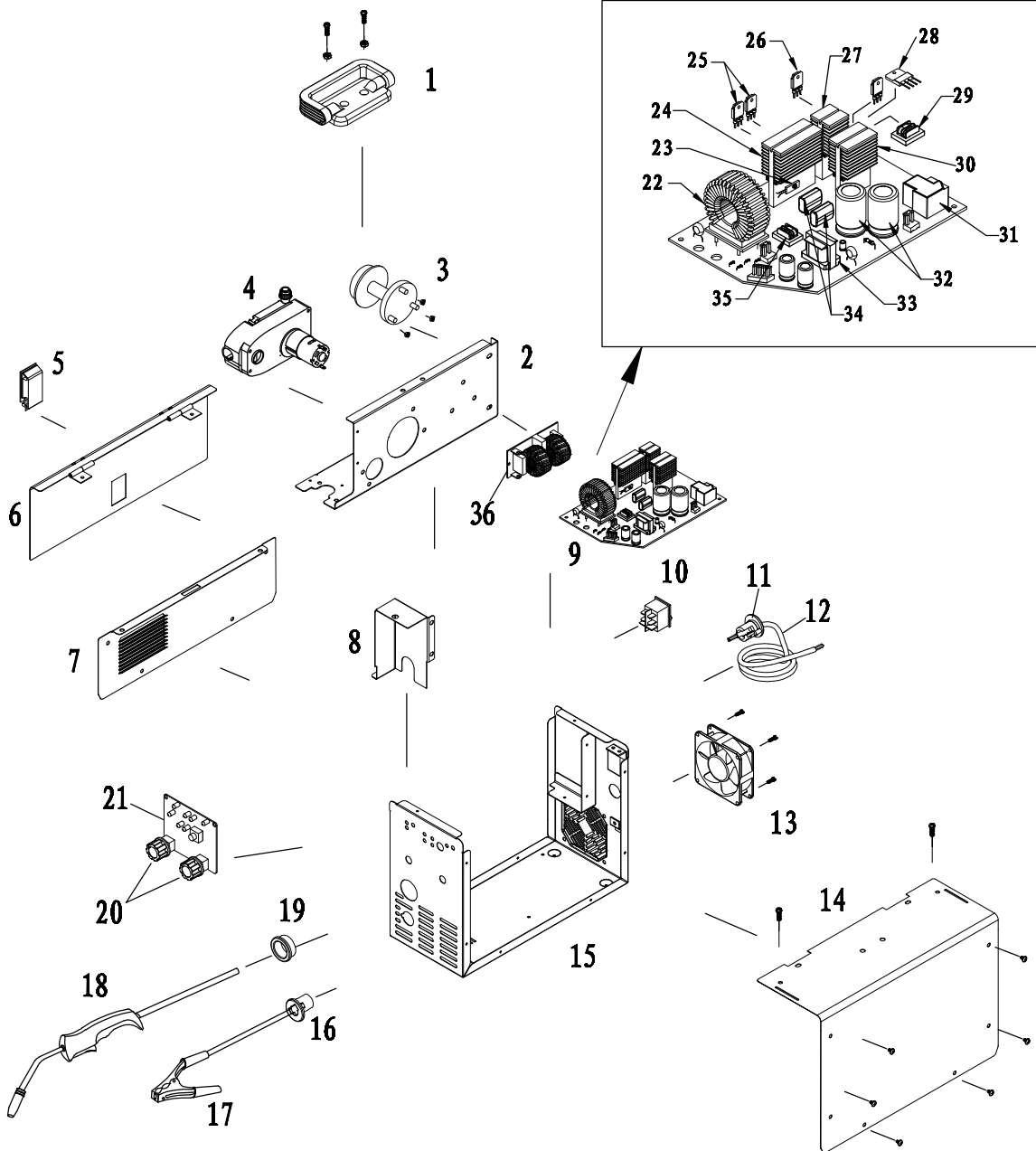
EN

Bill of materials

Güde®

SG 121 # 20073 | 20075

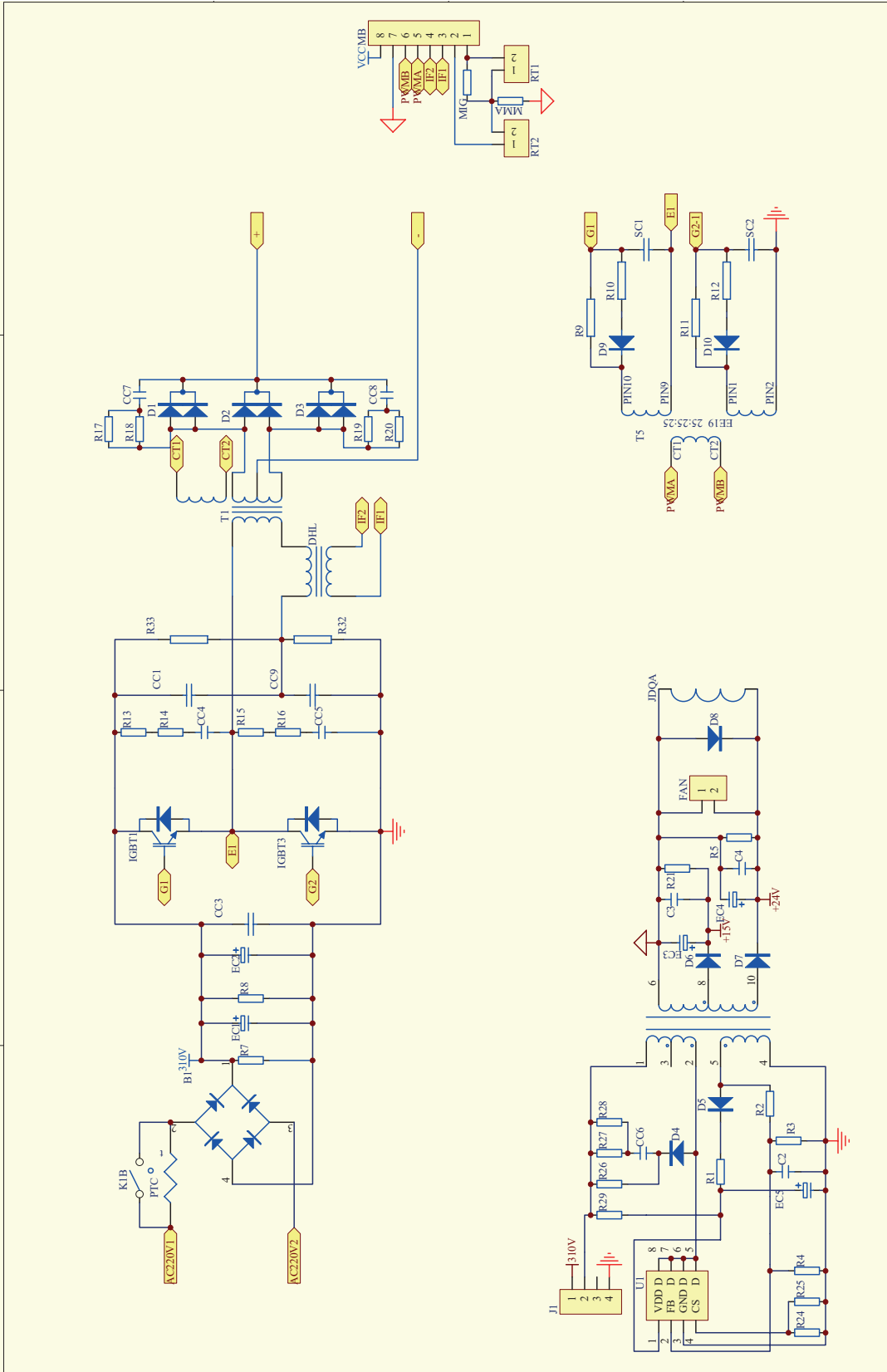
Bitte beachten Sie, dass die Zeichnung und die Stückliste nicht für die Ersatzteilbestimmung angedacht sind.





SG 121 # 20073|20075

No.	Part Name	Material	Quantity	Weight (g)
1	handle	PS	1	66.5
2	clapboard	STEEL	1	333
3	wire feeding roller	ABS+STEEL	1	43
4	wire feeding motor	ABS	1	289
5	lock	ABS	1	10
6	side cover	STEEL	1	275
7	side panel	STEEL	1	210
8	PCB bracket	STEEL	1	78
9	power PCB	PCB	1	847
10	power switch	PP	1	15
11	anti-haul	Nylon	1	5
12	power cable	rubber+ PVC+ copper	1	335
13	fan	PDT	1	81
14	housing	STEEL	1	667
15	mother board	STEEL	1	717
16	anti-haul	Nylon	1	5
17	earth clamp	STEEL	1	79
18	MIG torch	PVC	1	890
19	Coil cover	rubber	1	1.6
20	knob	ABS	2	2
21	control board	PCB	1	46.5
22	main transformer	magnetic ceramics	1	248
23	overheat protector	STEEL	1	2.6
24	heat-sink	Aluminum	1	115
25	Fast recovery diode	Phenolic epoxy resin	2	4.5
26	IGBT	Phenolic epoxy resin	2	6.3
27	heat-sink	Aluminum	1	59
28	Rectifier bridge	Aluminum	1	7
29	Pulse transformer	magnetic ceramics	1	11
30	heat-sink	Aluminum	1	116
31	relay	PAB	1	24.5
32	Electrolytic capacitor	Aluminum	2	55
33	Switching power supply	transmagnetic ceramics	1	13.5
34	Half bridge capacitor	Aluminum	2	6.5
35	Mutual inductance coil	magnetic ceramics	1	9.3
36	EMC board	PCB	1	135



GÜDE GmbH & Co. KG
Birkichstrasse 6
74549 Wolpertshausen
Deutschland
Tel.: +49-(0)7904/700-0
Fax.: +49-(0)7904/700-250
eMail: info@guede.com

2022-02-25

